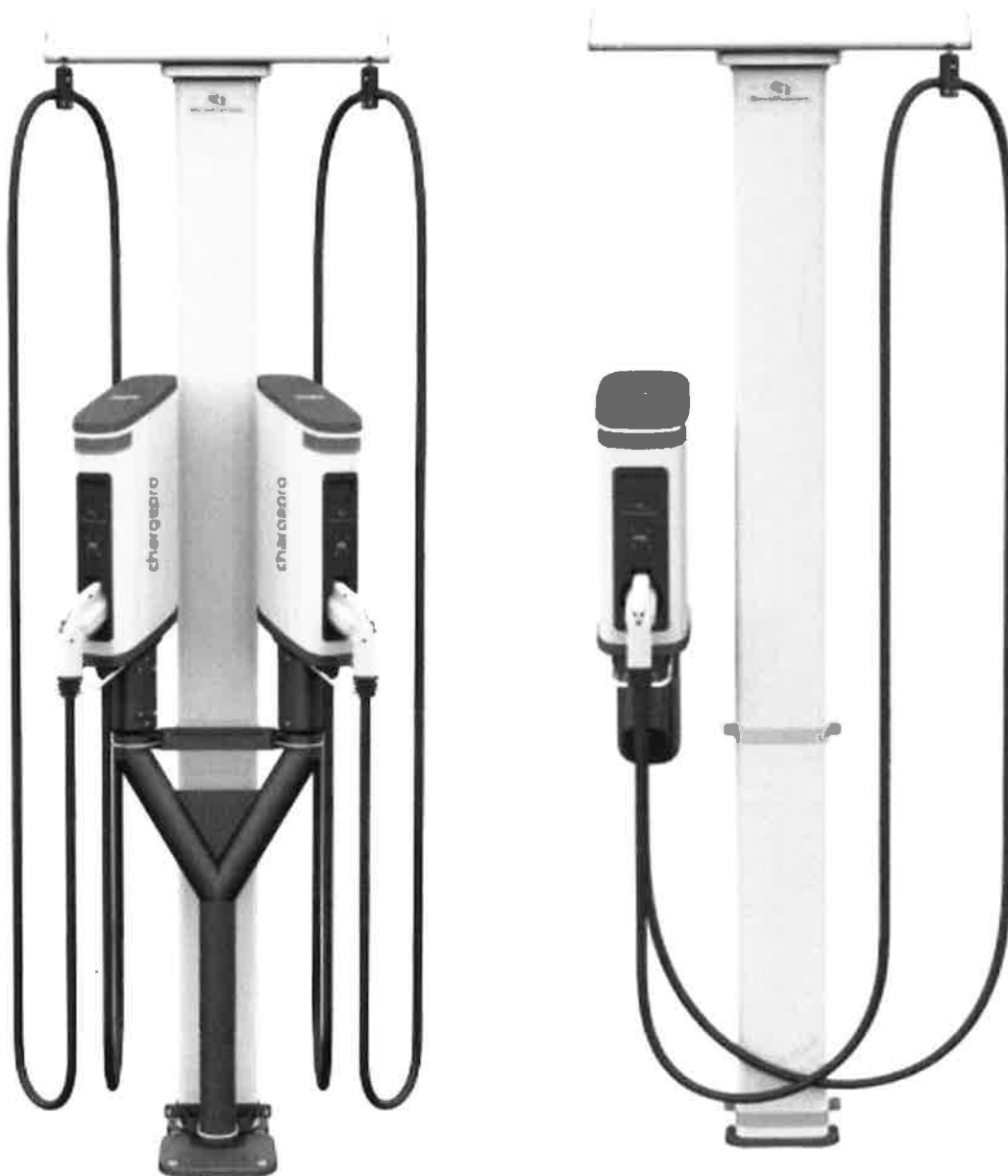


ChargePro Cable Management System (CMS) Installation Guide



SemaConnect, Inc. * 4961 Tesla Drive, Suite A * Bowie, MD 20715
800-663-5633 * www.semaconnect.com

Revision: 032015-1

This document provides instructions to install the ChargePro™ Cable Management System (CMS) and should not be used for any other product. Consult a licensed contractor before installation to ensure compliance with local building practices, climate conditions, safety standards, and state and local codes. **Under no circumstances will compliance with the information in this guide relieve the installer of responsibility to comply with all applicable codes and safety standards.**

This document describes the most common installation and mounting methods. Contact SemaConnect where it is not possible to perform an installation using the procedures provided in this document. SemaConnect is not responsible for damages that may occur during or as a result of installation.

IN NO EVENT SHALL SEMACONNECT, INC. OR ITS AUTHORIZED DISTRIBUTORS BE LIABLE FOR ANY INDIRECT, INCIDENTAL, SPECIAL, PUNITIVE, OR CONSEQUENTIAL DAMAGES, INCLUDING WITHOUT LIMITATION, LOST PROFITS, LOST DATA, LOSS OF USE, COST OF COVER, OR LOSS OR DAMAGE TO THE CHARGEPRO™ CABLE MANAGEMENT SYSTEM ARISING OUT OF OR RELATING TO THE USE OR INABILITY TO USE THIS GUIDE, EVEN IF SEMACONNECT, INC. OR ITS AUTHORIZED DISTRIBUTORS HAVE BEEN ADVISED OF THE POSSIBILITY OF SUCH DAMAGES.

ChargePro™ Cable Management System is a trademark of SemaConnect, Inc. All other products or services mentioned are the trademarks, service marks, registered trademarks or registered service marks of their respective owners.

Copyright ©2015 SemaConnect, Inc. All rights reserved.

This material is protected by the copyright laws of the United States and other countries. It may not be modified, reproduced or distributed without the prior, express written consent of SemaConnect, Inc.

Cable Management System (CMS)

Product Description / Purpose:

CMS is a charging cable tether device that can be part of a station installation or added to existing stations at a later date. Installation is simple. The system is designed to work with single or dual charging station installations.

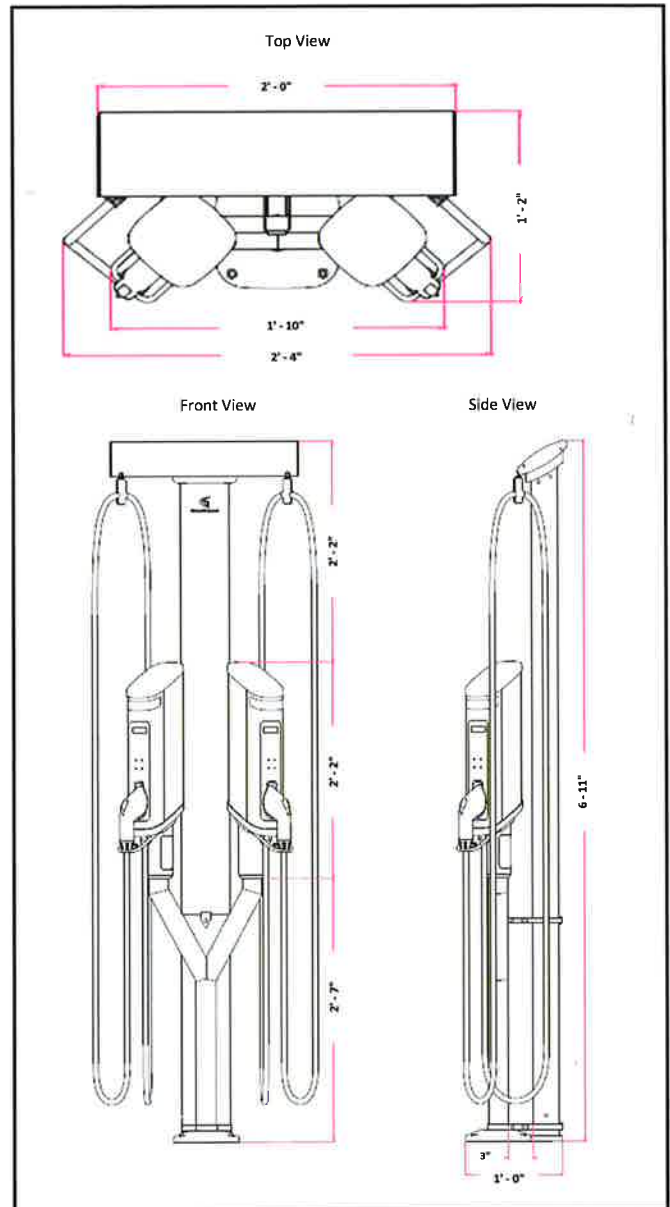
Dual Station Configuration



Single Station Configuration



Dimensions



Technical Specs:

- Exterior is a painted and seal coated. Material is aluminum, manufactured for long-term durability and service.
- Installed on existing parking surface using two (2) anchor bolts at the base. Two (2) stabilizing straps are provided for vertical stability.
- Easily installed at existing station locations.

Ordering Requirements:

- Specify single or dual configuration at time of placing order.

Pedestal Mount Installation

Accessories Included in Shipment:



Spacer Bracket (2)



**Spacer - Single Pedestal Install (2)
Spacer - Dual Pedestal Install (1)**



Dual Spacer - Dual Pedestal Install (1)



**U Bolt - Single Pedestal Install (2)
U Bolt - Dual Pedestal Install (3)**



Nut-Washer-Bolt (4)



Anchor (2)



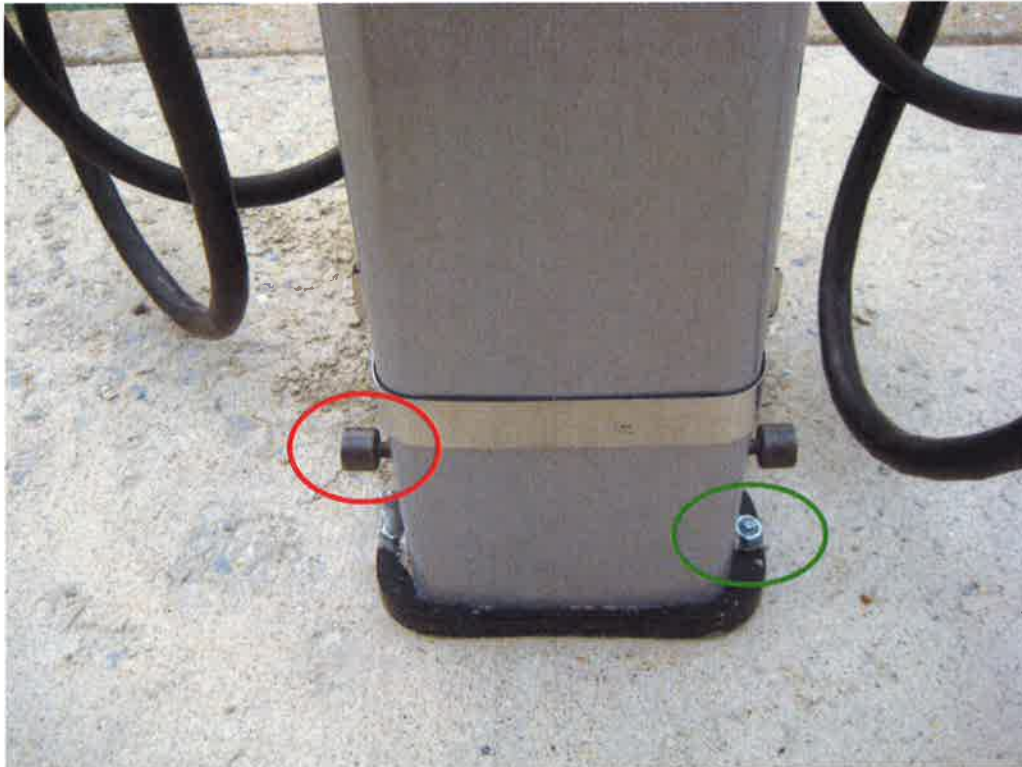
Anchor Bolt (2)



**Anchor Setting
Tool**

Installing the CMS

1. Temporarily position the CMS flush against the pedestal base to mark the anchor device installation pattern on the concrete.
2. Set aside the CMS to install the Anchors in accordance with manufacturer's instructions.
3. Place CMS base over Anchors and thread on Anchor Bolts. ***DO NOT FULLY TIGHTEN***



- Do not remove counter-weight retention bolts until final installation step.

4. Join the CMS to the Spacers using the two (2) Spacer Brackets.



5. Secure CMS to EVSE pedestal using U-Bolts.



- Two (2) U-bolts are required for a Single Pedestal installation.
- Three (3) U-bolts are required for a Dual Pedestal installation (shown).

6. Tighten nuts at base of stanchion.



Attaching the J1772 Cable

1. Remove the three (3) large screws from cable clamp.



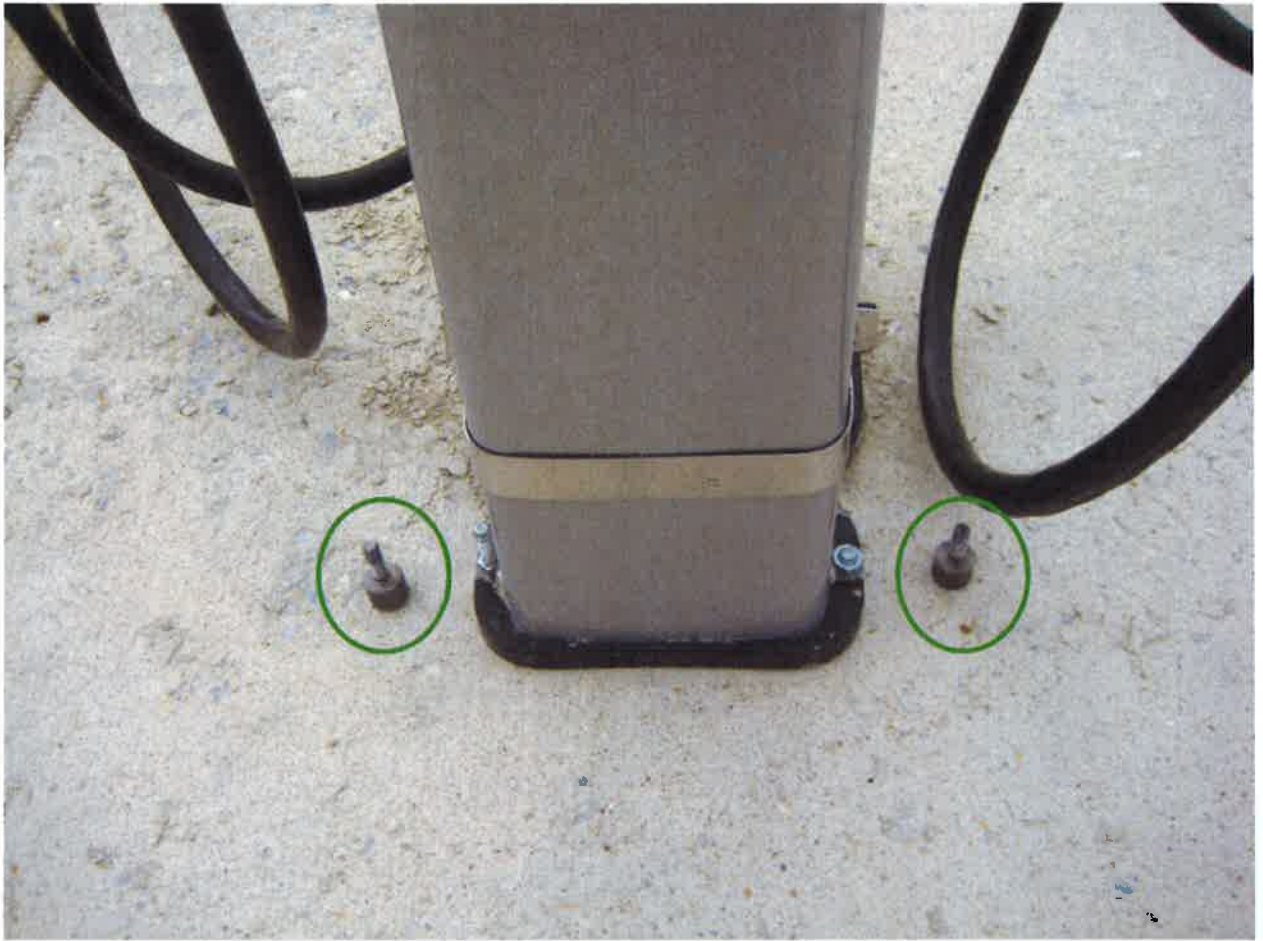
2. With charger plug secured in the storage holster, raise center of charger cable up to the clamp, ensuring none of the cable is touching the ground.



3. Center the clamp at the upper-most loop in the cable. Secure clamp using the three (3) previously removed screws.



4. Remove the two (2) weight retention bolts from bottom of stanchion.



5. Test the cable for smooth movement.

END

Wall Mount Installation

Accessories Included in Shipment:



Spacer Bracket (2)



Wall Spacer (2)



Nut-Washer-Bolt (4)



Anchor (2)



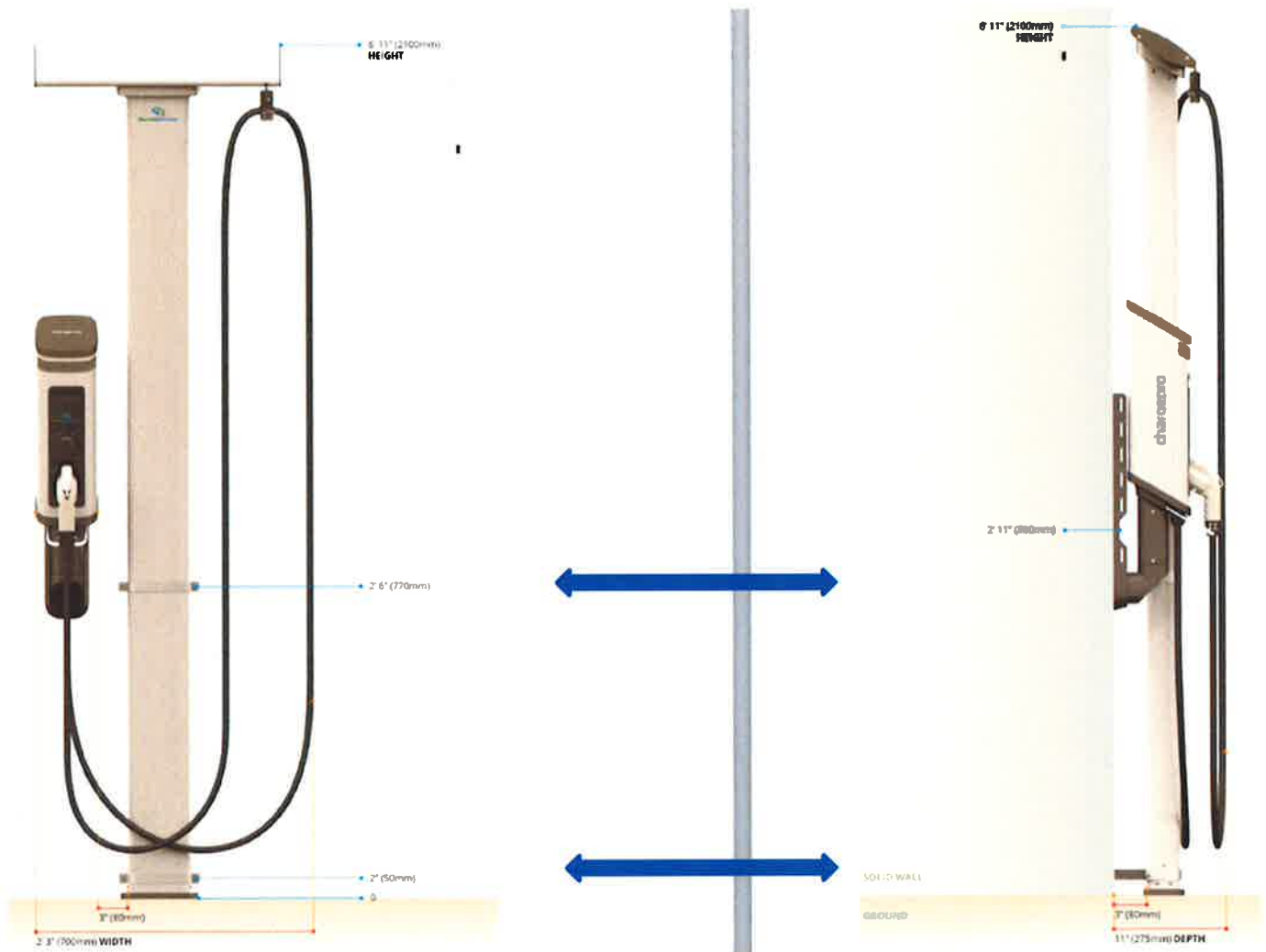
Anchor Bolt (2)



**Anchor Setting
Tool**

Installing the CMS

1. Attach Wall Spacers to wall. Wall spacers should be placed approximately 0.5ft. and 3ft. up from CMS base.
 - Do not remove counter-weight retention bolts until final installation step.

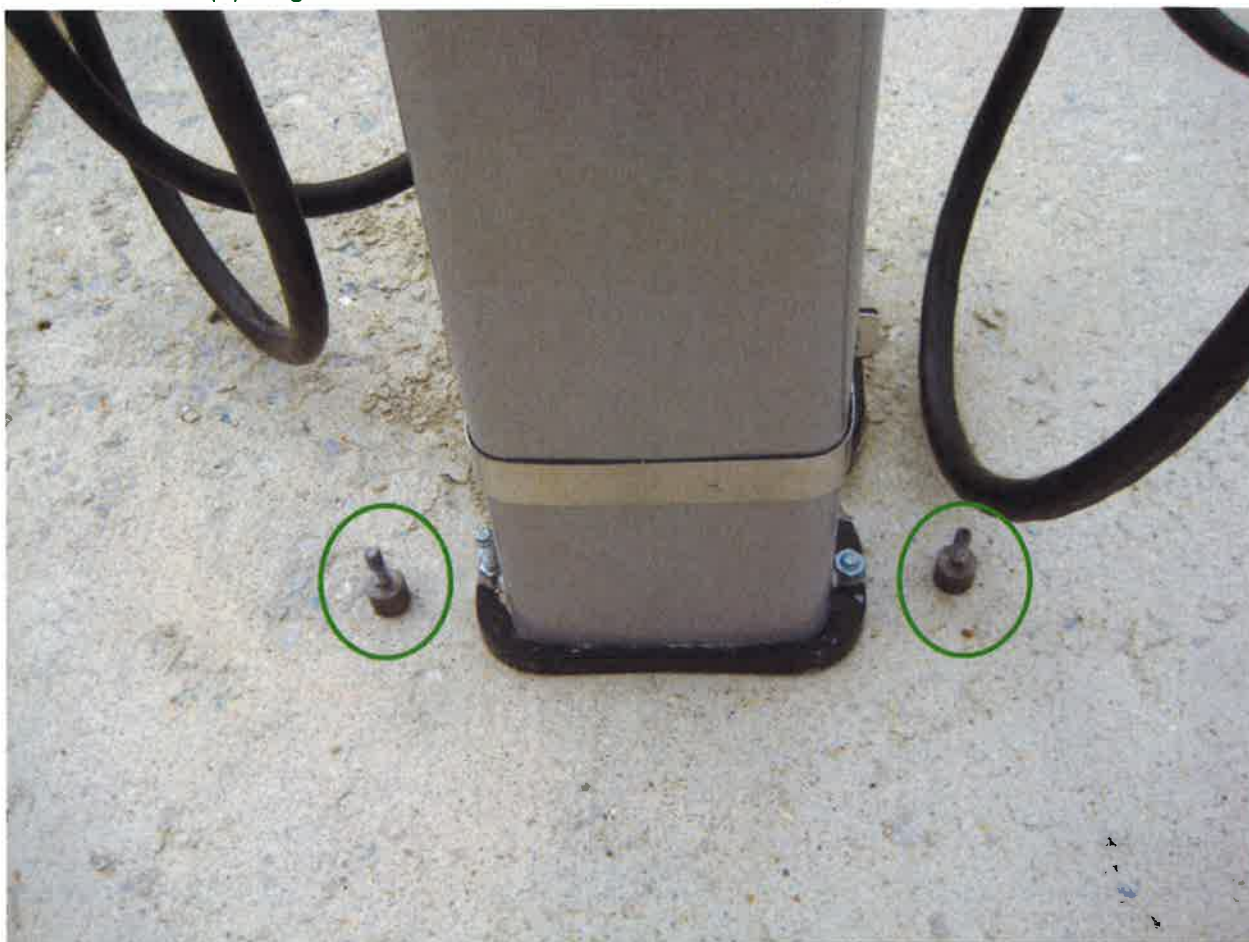


2. Temporarily secure CMS to Wall Spacers using Spacer Brackets. (Ensure CMS is level to wall.)
3. Mark the base mount holes, and remove CMS from Wall Brackets.
4. Set aside the CMS to install Anchor Bolts in accordance with manufacturer's instructions.



5. Replace CMS and secure base to concrete with Base Anchor Bolts.
6. Once base is secure, reattach to Wall Spacers using Spacer Brackets.
7. See Pedestal Mount "Attaching the J1772 Cable" for instruction on how to attach retractor cable.

8. Remove the two (2) weight retention bolts from bottom of stanchion.



9. Test the cable for smooth movement.

END

